

auto electrical parts

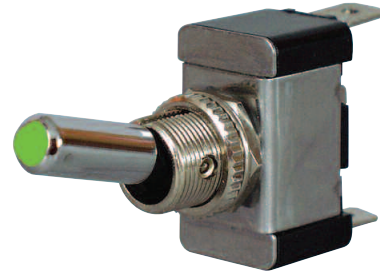
Technical Information Sheet

Part No. 0-603-04

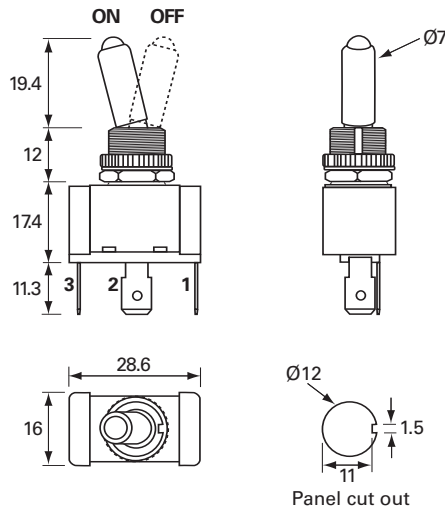
On/off, single pole switch with 12/24 volt green LED in a nickel plated round metal lever with 6.3mm blade terminals. 13mm panel hole. 10 amps at 28 volts dc rating.

Additional Information

- Terminal 1 - Supply +ve
- Terminal 2 - Switched load
- Terminal 3 - Ground -ve



Technical Drawing (not to scale)



Specification

Type	Single pole 2 position on/off toggle switch with LED indication
DC current rating @ 28 volts	10 amps
LED	Green
LED current @ 28 volts	16mA
Terminals	6.3mm lucar blade
Temperature range	-20°C to +85°C
Contact resistance	50mΩ maximum
Electric strength	1500 volt AC
Insulation resistance	100MΩ
Mounting	Threaded bush, secured front and behind the panel by fixing nut and ring.
Panel depth	7mm maximum
Weight	20g
Dimensions	l 28.6 x w 16 x h 60.1mm (including lever and terminals)

The information contained in this document is correct to the best of our knowledge at the time of printing. However, specifications may change at any time without notice.